

KAMADOJOE CLASSICJOE



Shown: ClassicJoe Red

KAMADOJOE CLASSICJOE

GRILL COMPONENTS & SPECIFICATIONS



Internal Components
 Divide & Conquer Flexible Cooking System (includes rack, two half grates, two half heat deflectors)



Also Available in Black
 with Teak Finished Bamboo Side Shelves & Handle.



Divide & Conquer Flexible Cooking System



Natural Finished Solid Bamboo Side Shelves (Red Grill)



Teak Finished Solid Bamboo Side Shelves (Black Grill)



Powder Coated 304 Stainless Steel Utensil Pins (4 Each Side Shelf)



Oversized Locking Caster Wheels on Cart for Stability and Easy Movement

KAMADO JOE CLASSICJOE SPECIFICATIONS

Dimensions	46.5" wide x 48" high x 28" deep	118 cm x 122 cm x 71 cm
Cooking Surface	18" diameter/254 square inches	45.7 cm diameter/1,646 square centimeters
w/Grill Expander	406 square inches	2,619 square centimeters
w/2 Set of Grates	508 square inches	3,277 square centimeters
w/Both Grates & Grill Exp.	660 square inches	4,258 square centimeters
Weight	188 pounds	85 kilograms
Heat Range	225°F – 750°F+	82°C – 399°C

Materials

Base/Lid	High-Fire Heat-Resistant Ceramics	Handle/Shelves (Red) ...	Finished Bamboo
Ceramic Glaze Heat	Resistant Ceramic Coating	Handle/Shelves (Blk)	Teak Finished Bamboo
Fire Grate/ Top Vent	Powder-Coated Cast Iron	Hinge	Powder-Coated Galvanized Iron
Grill Grate	304 Stainless Steel	Draft Door	304 Stainless Steel
Fire Box/Ring	High-Fire Heat-Resistant Ceramics	Cart	Powder-Coated Cast Iron

KAMADOJOE CLASSICJOE

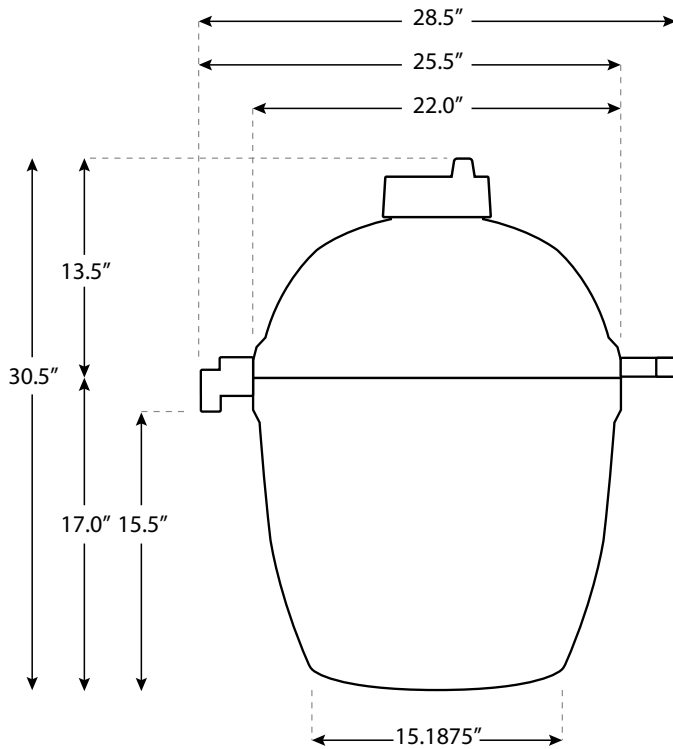
DIMENSIONS & INSTALLATION GUIDE

Important Dimension Notes

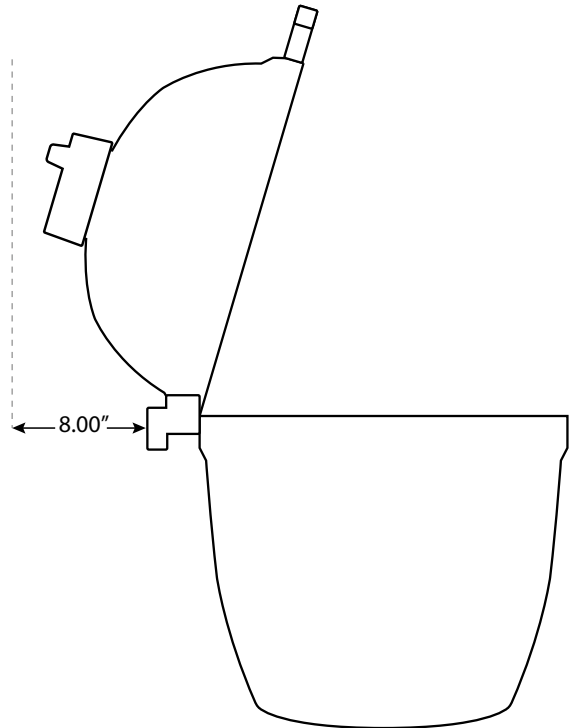
Please use this as a general guide for installing a ClassicJoe ceramic grill in a built-in outdoor kitchen or grill table.

We highly recommend that the actual grill being installed be measured.

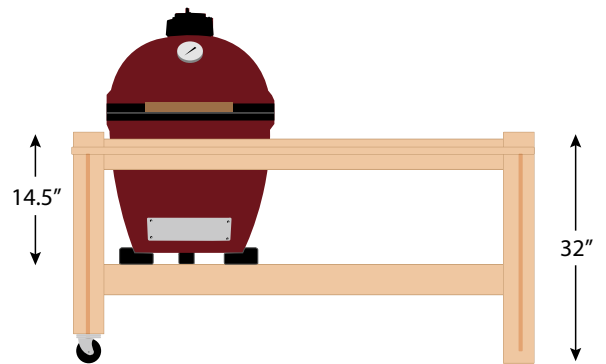
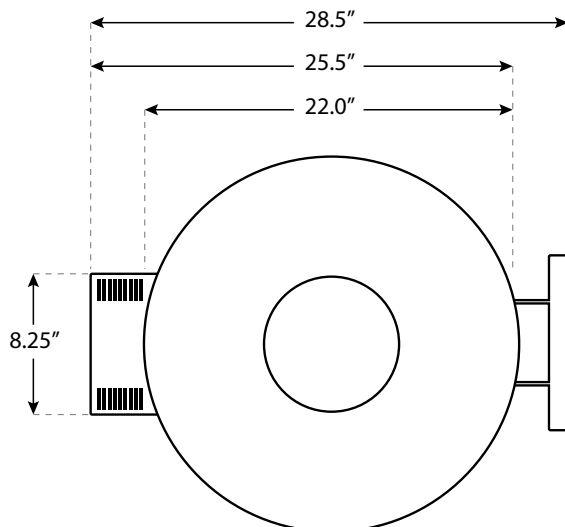
ClassicJoe Side View



ClassicJoe Open Clearance



ClassicJoe Top View



The 1" ceramic feet are included in the height.

