

KAMADOJOE BIGJOE

THE NEXT REVOLUTION IN GRILLING



Shown: BigJoe Red

KAMADOJOE BIGJOE

GRILL COMPONENTS & SPECIFICATIONS

Internal Components

Divide & Conquer Flexible Cooking System (includes rack, two half grates, two half heat deflectors)



Also Available in Black
with Teak Finished Bamboo Side Shelves & Handle.



Divide & Conquer Flexible Cooking System

Counterbalanced Hinge System

304 Stainless Steel Ash Tray

Finished Solid Bamboo Side Shelves

Oversized Locking Caster Wheels

KAMADOJOE BIGJOE SPECIFICATIONS

Dimensions	50 in Wide x 54 in High x 31 in Deep	127 cm Wide x 137 cm High x 79 cm Deep
Cooking Surface	24 in Diameter/452 sq in	61 cm Diameter/2,923 sq cm
w/Grill Expander	XXX square inches	XXXX square centimeters
w/2 Set of Grates	904 square inches	XXXX square centimeters
w/Both Grates & Grill Exp.	XXX square inches	XXXX square centimeters
Weight	250 lbs	113 kg
Heat Range	225°F – 750°F+	82°C – 399°C

Materials

Base/Lid	High Fire Heat-Resistant Ceramics	Handle/Shelves (Red) ...	Finished Bamboo
Glaze	Heat-Resistant Ceramic Coating	Handle/Shelves (Blk)	Bamboo/Teak Finish
Top Vent/Fire Grate	Powder Coated Cast Iron	Hinge	Powder-Coated Galvanized Iron
Grill Grate	304 Stainless Steel	Draft Door	304 Stainless Steel
Fire Box/Ring	High Fire Heat-Resistant Ceramics	Cart	Powder-Coated Cast Iron

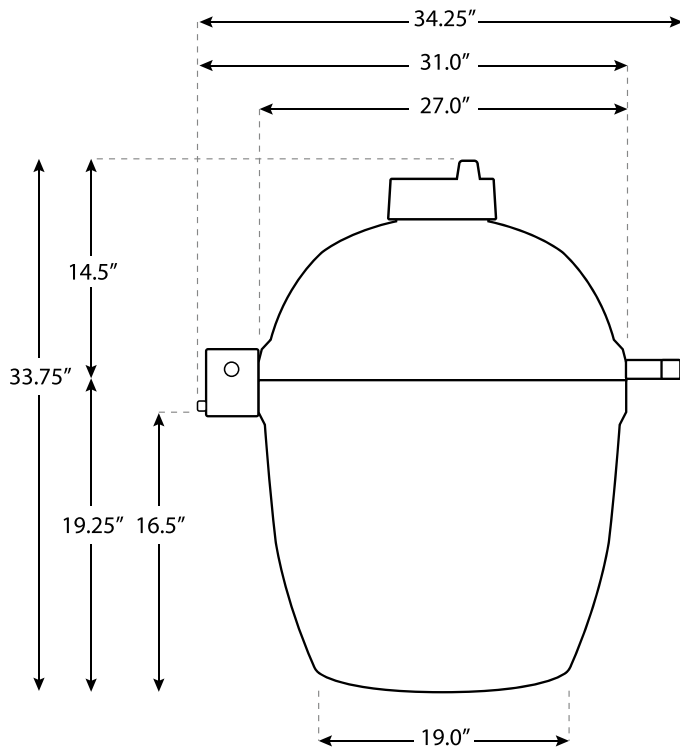
KAMADOJOE BIGJOE

DIMENSIONS & INSTALLATION GUIDE

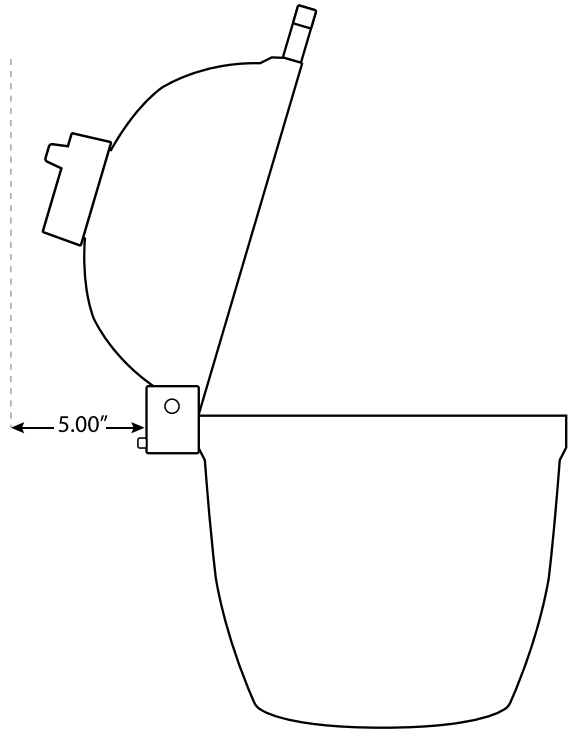
Important Dimension Notes

Please use this as a general guide for installing a BigJoe ceramic grill in a built-in outdoor kitchen or grill table. **We highly recommend that the actual grill being installed be measured.** Drawing is not to scale.

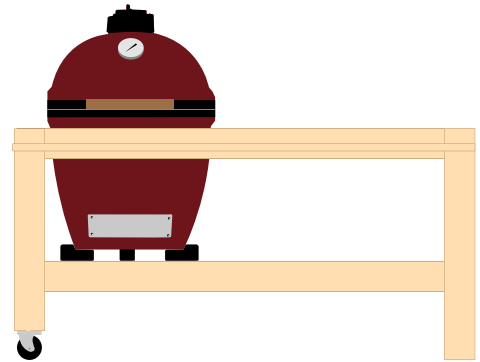
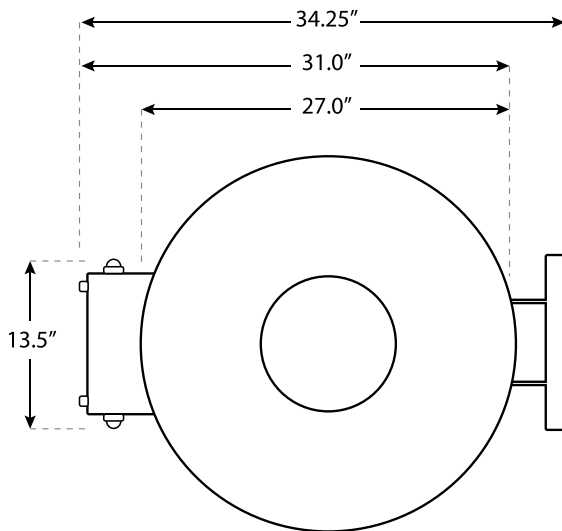
BigJoe Side View



BigJoe Open Clearance



BigJoe Top View



The ceramic feet add 1" to the height.
A cut-out for the hinge may be necessary,
depending on the height of the table top.

