

KAMADO JOE CLASSICJOE

THE NEXT REVOLUTION IN GRILLING



Shown: ClassicJoe Red



ClassicJoe Specifications

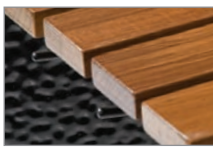
KAMADO JOE CLASSICJOE GRILL COMPONENTS & SPECIFICATIONS



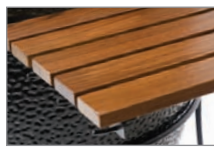
Also Available in Red
with Finished Natural Bamboo Side Shelves & Handle.



Extra Large Thermometer with Cooking Guide



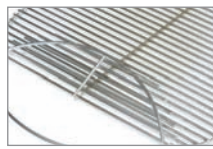
Powder Coated 304 Stainless Steel Utensil Pins (4 Each Side Shelf)



Teak Finished Solid Bamboo Side Shelves (Black Grill)



Natural Finished Solid Bamboo Side Shelves (Red Grill)



304 Stainless Steel Cooking Grate with Hinged Door



Oversized Locking Caster Wheels on Cart for Stability and Easy Movement

KAMADO JOE CLASSICJOE SPECIFICATIONS

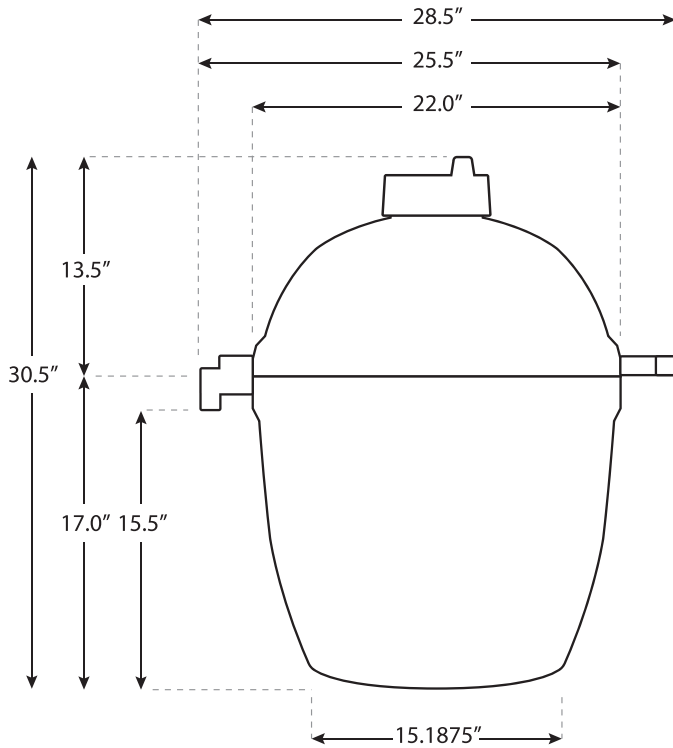
Dimensions	46.5" wide x 48" high x 28" deep	118.1 cm x 121.9 cm x 71.1 cm
Cooking Surface	256 square inches	1,646 square centimeters
w/Rack Extension	407 square inches	2,619 square centimeters
Weight	188 pounds	85 kilograms
Heat Range	225°F – 750°F+	82°C – 399°C
Materials		
Base/Lid	High Fire Heat-Resistant Ceramics	Handle/Shelves (Red) ... Finished Bamboo
Glaze	Heat-Resistant Ceramic Coating	Handle/Shelves (Blk) ... Bamboo/Teak Finish
Top Vent/Fire Grate	Cast Iron	Hinge
Grill Grate	304 Stainless Steel	Powder-Coated Galvanized Iron
Fire Box/Ring	High Fire Heat-Resistant Ceramics	Draft Door
		304 Stainless Steel
		Cart
		Powder-Coated Cast Iron

KAMADO JOE CLASSICJOE DIMENSIONS & INSTALLATION GUIDE

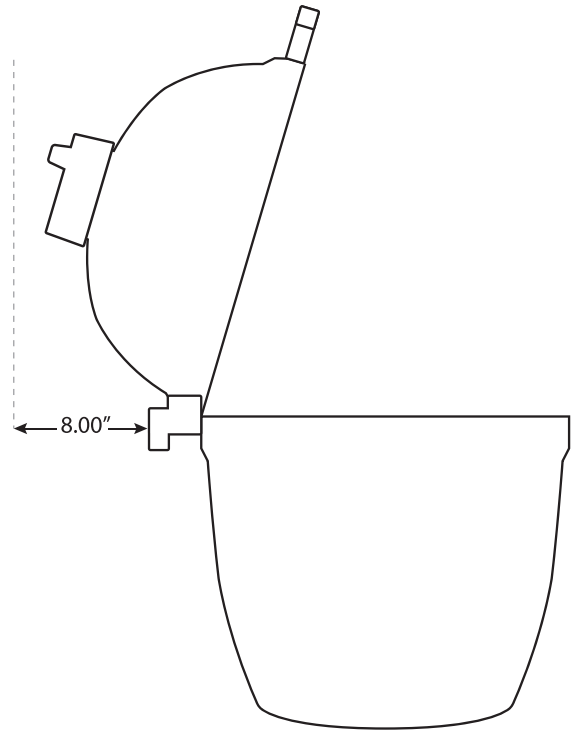
Important Dimension Notes

Please use this as a general guide for installing a ClassicJoe Stand Alone ceramic grill in a built-in outdoor kitchen or grill table. **We highly recommend that the actual grill being installed be measured.**

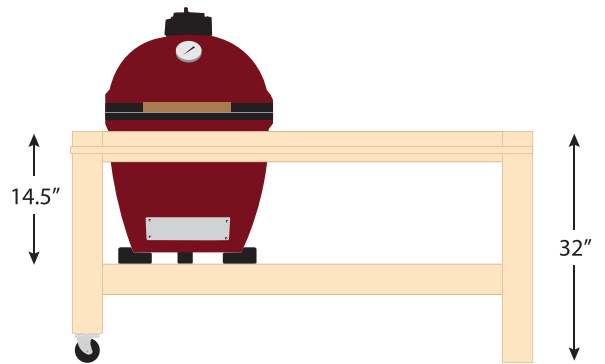
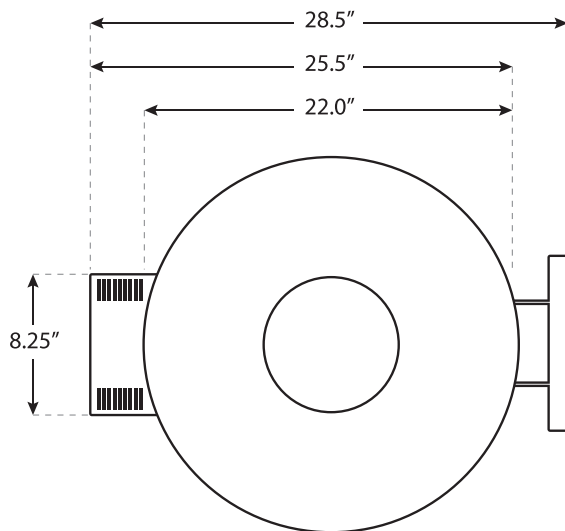
ClassicJoe Side View



ClassicJoe Open Clearance



ClassicJoe Top View



The 1" ceramic feet are included in the height.

